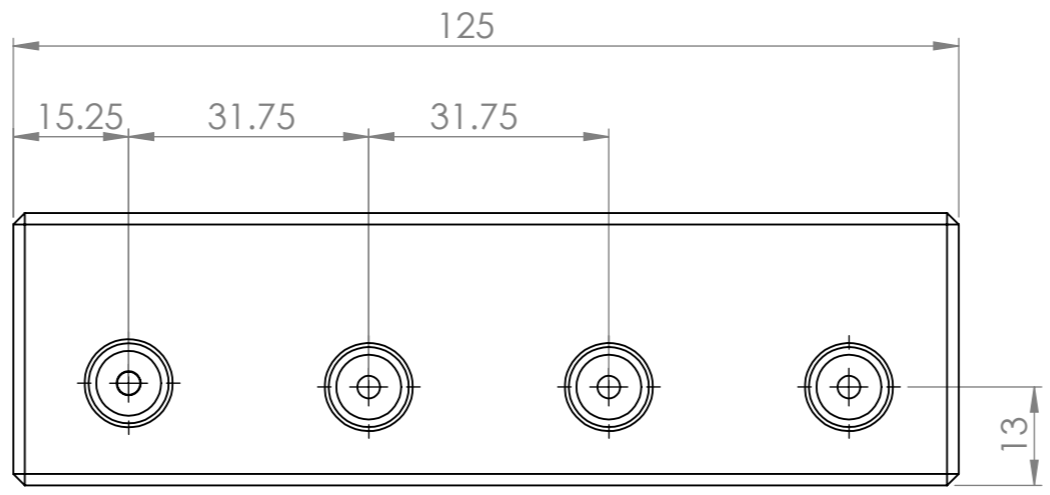


8 7 6 5 4 3 2 1

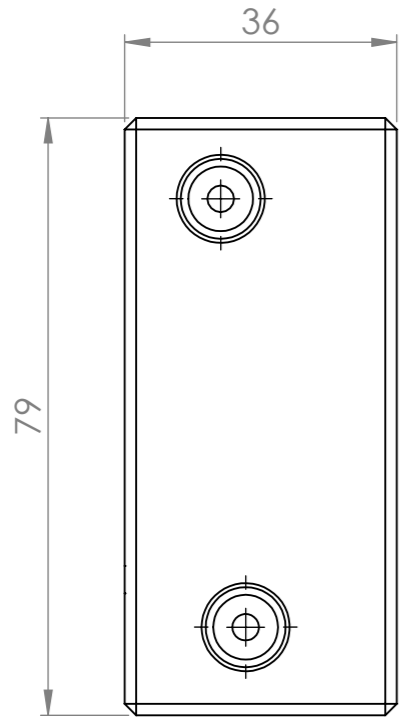
F

F



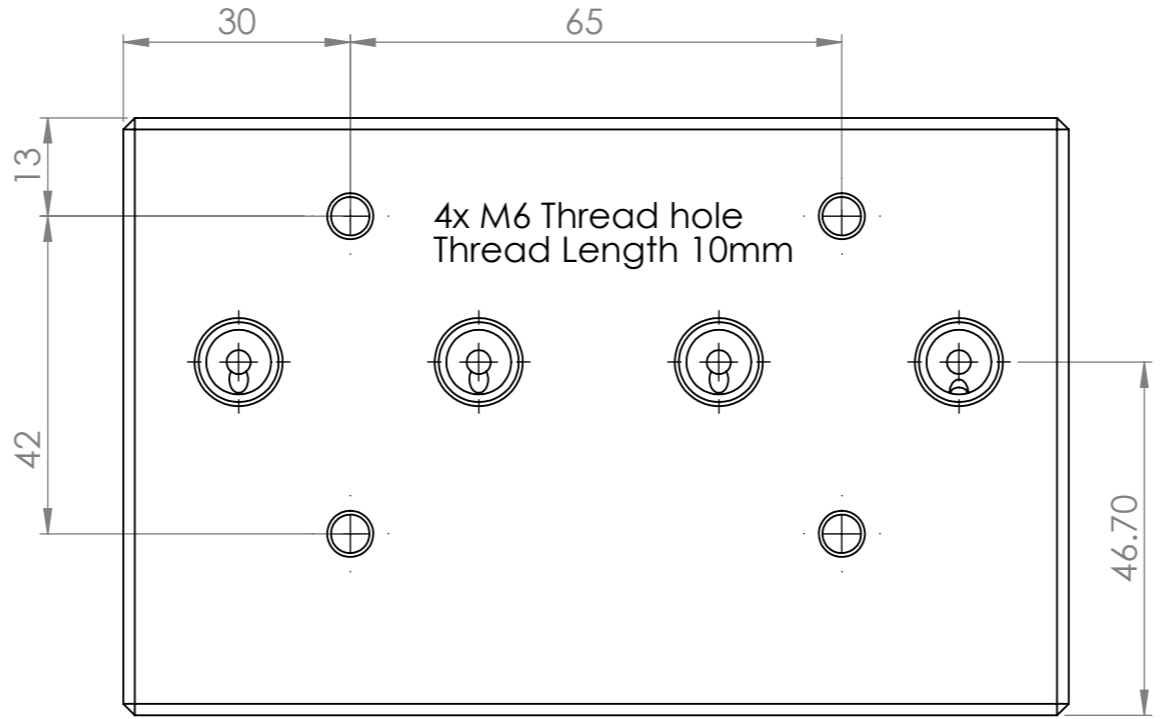
E

E



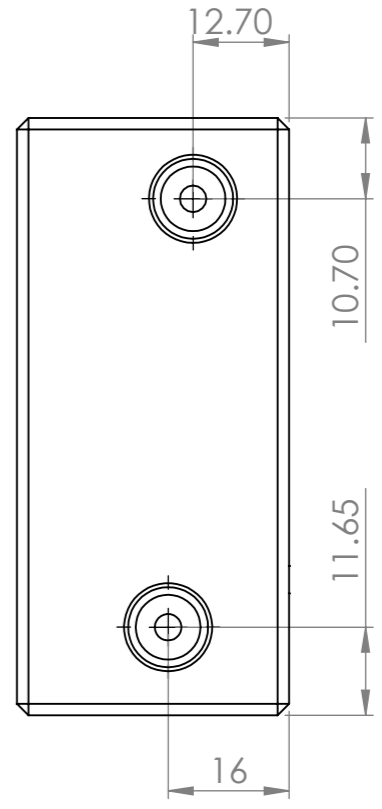
D

D



C

C



B

B

			Company:	Pressure Control Solutions	
				4C-manifold	
MATERIAL:	SS316		Title:	A3	
WEIGHT:			SCALE:1:1	SHEET 1 OF 1	

A

A

8 7 6 5 4 3 2 1