

EQUILIBAR SERIES 41 PNEUMATIC PRECISION REGULATOR

Installation, Operation and Maintenance Instructions

Operation:

The Series 41 is a high-flow, low pressure, non-bleeding regulator that precisely controls a set pressure.

Before you place the regulator into service for the first time, turn the Regulator Knob counterclockwise to relieve the tension on the Range Spring. To operate the regulator, slowly turn the knob in a clockwise direction until it reaches the required set pressure. For more information, see Figure 1.

Installation:

Use the two 1/4-20 tapped holes in the Bonnet to panel mount the Series 41. The unit can also be mounted using optional 21365-1 mounting bracket. You can mount the regulator in any position without affecting its operation.

Clean all pipelines to remove dirt and scale before installation.

Apply a minimum amount of pipe compound to the male threads of the fitting only. **Do Not use Teflon tape as a sealant.** Start with the third thread back and work away from the end of the fitting to avoid contaminating the regulator.

Install the regulator in the air line.

The Inlet and Outlet ports are labeled "In" and "Out". Tighten all connections securely. Avoid undersized fittings that will limit the flow through the regulator. For more information, see Figure 1.

Maintenance:

To clean the Series 41, use the following steps:

1. Shut off system pressure to the regulator to prevent air from escaping. It is not necessary to remove the regulator from the air line.
2. Remove the four Screws and Washers (between ports) from the bottom of the unit. For more information, see Figure 2.
3. Remove the Inner Valve Assembly. For more information, see Figure 2.
4. Wash the Inner Valve Assembly with a solvent. Exercise care to prevent damage to diaphragms and valve facings. Avoid solvents such as acetone, carbon tetrachloride and trichlorethylene.
5. Replace the assembly carefully. Ensure that the Vent in the exterior part of the Inner Valve Assembly and the Exhaust Vent in the Bonnet are clear. For more information, see Figure 2.

Service Kit:

PART NUMBER	USE WITH
21364-N	All Ranges, Nitrile Elastomers
21364-J	All Ranges, Viton Elastomers

Troubleshooting:

PROBLEM	SOURCE	SOLUTION
External Leakage	<ul style="list-style-type: none"> Bonnet Screws Diaphragm 	<ul style="list-style-type: none"> Tighten bonnet screws Tighten diaphragm screws
Leakage from exhaust vent	<ul style="list-style-type: none"> Relief Valve Supply Valve Supply Seat 	If contaminated, clean the source/body. If damaged, install a service kit

Note:

Oil free air must be applied to the regulator. Use a filter to remove dirt and entrained liquid in the air line ahead of the regulator. If an air line lubricator is used, it **MUST** be located downstream of the regulator to avoid interference with performance.

Figure 2

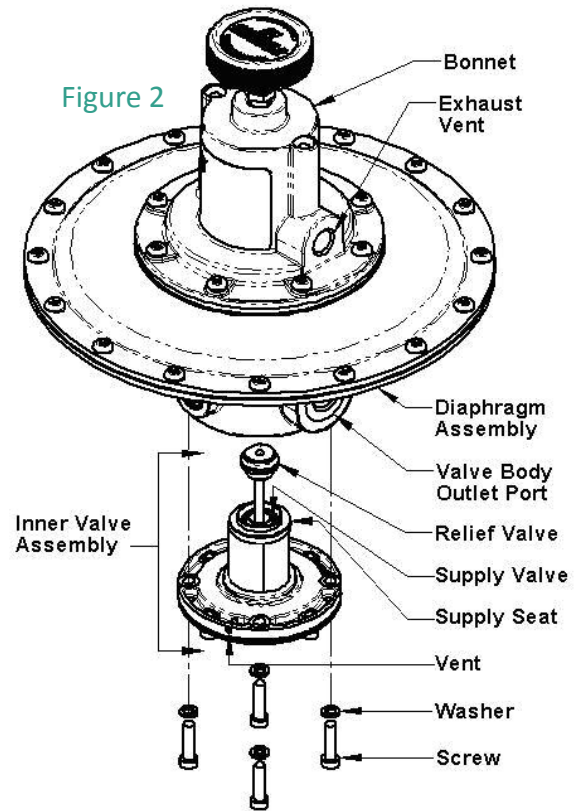
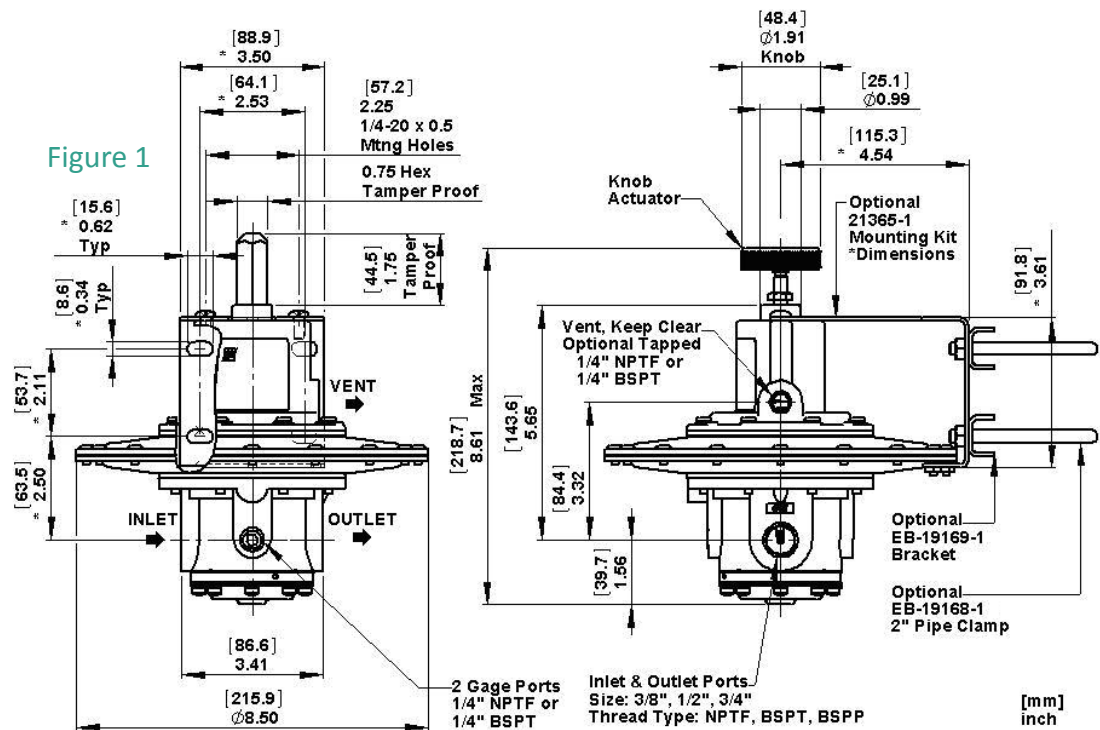


Figure 1



Equilibar, LLC
320 Rutledge Rd.
Fletcher, North Carolina 28732
United States
Tel: +1-828-650-6590
Fax: +1-801-504-4439
Monday – Friday
8:00 AM – 5:00 PM EST
12:00 – 21:00 GMT
inquiry@equiblar.com